

D-CHAIR

Technical information



Other documents available for this product

User manual for D-CHAIR task, visitor and executive chairs

10 year Warranty

See Warranty statement



Technical information

Types

- Task / visitor chair (1)
- Executive chair (2)

1



2



Seat

- Fixed seat;
- Seat frame made of black, grey or red PA (nylon) reinforced with fiberglass;
- Seat upholstered with self-supporting mesh;
- Seat is directly connected to backrest and creates single monoblock;
- Maximum load – 110 kg.

Backrest

- Available in medium and high versions (headrest);
- Frame made of black, grey or red PA (nylon) reinforced with fiberglass;
- Backrest is directly connected to seat and creates single monoblock;
- Backrest upholstered with self-supporting mesh;
- Assembled with metal fittings.

Armrests (optional)

- Fixed armrests made of black, grey or red PA (nylon) reinforced with fiberglass with PU (polyurethane) pads for a soft touch;
- Fixed armrests made of black PA (nylon) reinforced with fiberglass without PU (polyurethane) pads for a soft touch;
- 2D (two directions) adjustable armrests made of black, grey or red PA (nylon) reinforced with fiberglass;
- 2D armrests: height adjustable (60 mm run range) and pad moves forward and backwards (50 mm run range);
- 4D (four directions) adjustable armrests made of black, grey or red PA (nylon) reinforced with fiberglass;
- 4D armrests: height adjustable (60 mm run range), pad moves forward and backwards (50 mm run range), rotates (15° one direction) and moves sideways (25 mm run range);
- 2D and 4D armrests' upper part coated with PU (polyurethane) pads for a soft touch.

Mechanism

- Synchronized mechanism with tension adjustment;
- Lockable in working position by integrated lever;
- Height adjustment controlled by integrated lever;
- Mechanism outer body and backrest connection made out of black, grey and red PA (nylon) reinforced with fiber-glass;
- Mechanism housing and inner parts made out of powder-coated steel and aluminum.

Gas lift

- Chrome or black;
- 130 mm run range.

Base

- Five-star, made out of black, grey or red PA (nylon) reinforced with fiberglass;
- External Ø700 mm.

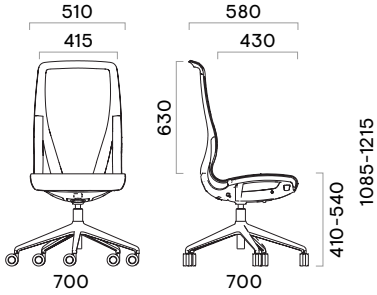
Castors

- Rubber-free wheel hollow castors for hard floor, Ø65 mm;
- PA (polyamide) free wheel hollow castors for soft floor, Ø65 mm;
- Rubber self-braking hollow castors for hard floor, Ø65 mm;
- PA (polyamide) self-braking hollow castors for soft floor, Ø65 mm.

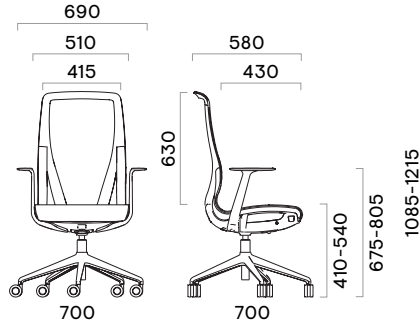
Range

Task / visitor chair

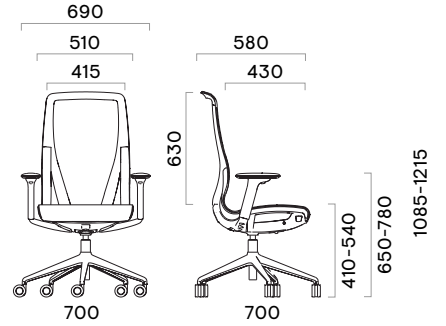
No armrests



Fixed armrests

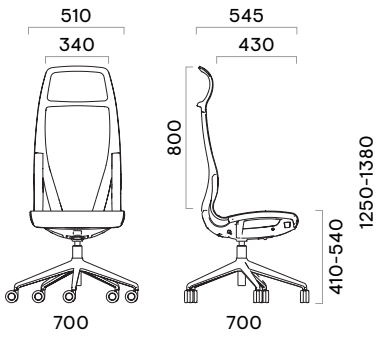


Adjustable armrests

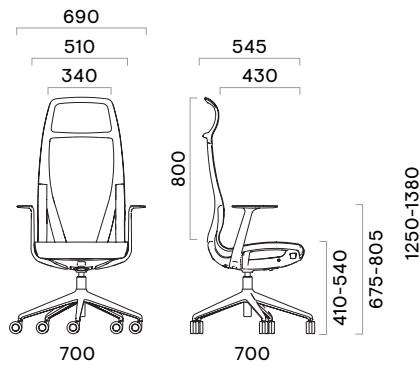


Executive chair

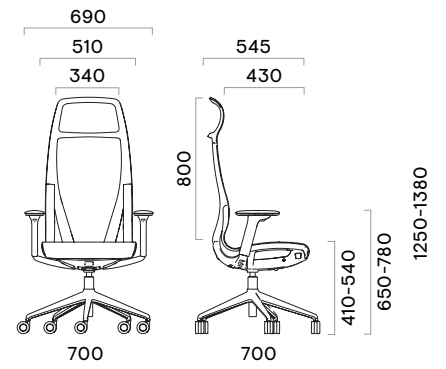
No armrests



Fixed armrests



Adjustable armrests







Additional information

- Comes fully assembled in the box, ready to use.



- The chairs were tested according to EN 1335-2:2018 standard, which concludes that the safe weight limit is 110kg. Exceeding this limit or careless activity with the product may result in damages or injuries.

Options of armrests

Functions	Fixed		2D	4D
	 Without PU pads	 With PU pads	 With PU pads	 With PU pads
Height adjustment 60 mm run range	×	×	✓	✓
Moves forward and backwards 50 mm run range	×	×	✓	✓
Rotates 15° one direction	×	×	×	✓
Moves sideways 25 mm run range	×	×	×	✓